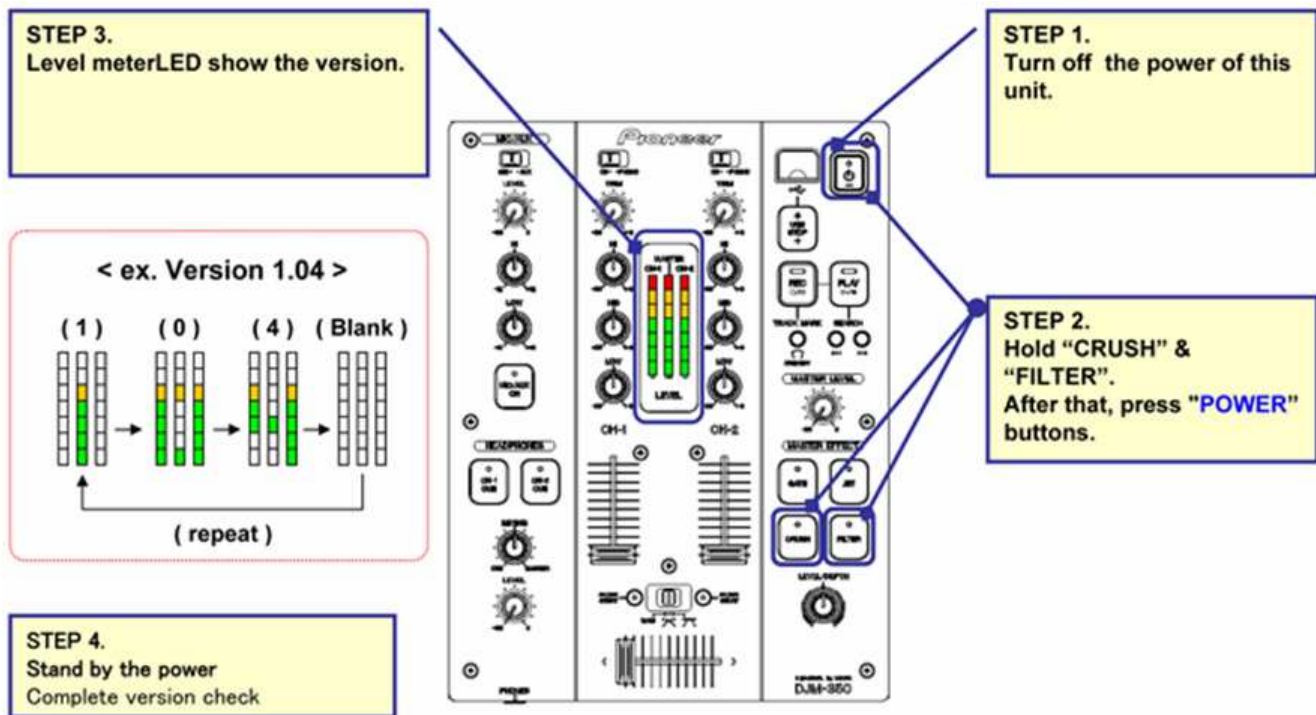


## System Firmware Update Instructions For DJM-350

NOTE: If you have any difficulty carrying out these instructions, please contact Pioneer Customer Support Center.

### A. Check the current firmware version of the player:



If the version number is **1.04** or higher, it is not necessary to update the firmware.

If the version number is less than **1.04**, it is necessary to update the firmware. Please continue to Step B.

### B. Download the firmware ZIP file from Pioneer's website:

Download the file named "**DJM-350v104.zip**" from the website to a folder on your computer.

### C. Create the System Firmware Update USB memory device:

USB memory device requirements:

- USB specification 2.0
- 32 MB or more in capacity
- Should be blank and formatted in FAT, FAT32 or HFS+ (mass storage class)

### PROCEDURE:

1. Connect the USB memory device to your computer..
2. Double click the ZIP file named "**DJM-350v104.zip** " to open it.

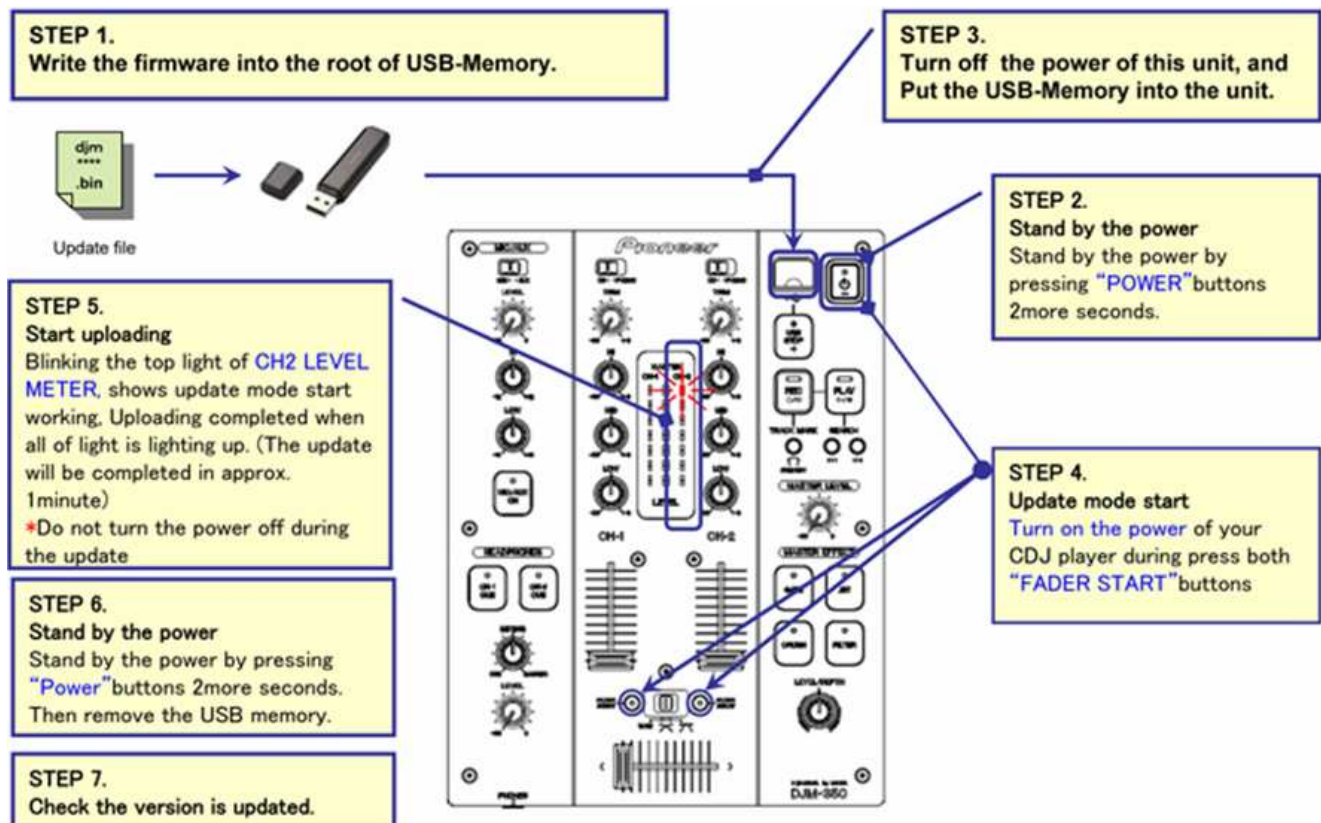
3. Extract and save the file to the root directory of your USB memory device
4. Confirm the file names and the file size is correct on the USB memory device. To check the file size in Microsoft Windows, select the file, press the right mouse button, and select "Properties". If the file name and size do not match the one listed below, perform steps B and C again.

Djm0104.bin (1.048.576 bytes)

## NOTE:

If the correct file is not copied to the USB memory device, your mixer will not recognize it as an update USB memory device and you will not be able to carry out the update.

## D. Update the mixer's system firmware:



## Contact Information

Pioneer Customer Support Center  
<http://www.pioneer.eu>